

RUBY BRACKET MODULAR



The Ruby Bracket Modular is a versatile and high-quality option for lighting up your space. This product is available with several LED modules, so you can choose the right option for your needs. With full analogue dimming, hybrid dimming, or PWM dimming, you can easily customize the light output to create the perfect ambiance. Additionally, the XLR3 in / out connectors make it easy to connect your DMX line and control the light output.

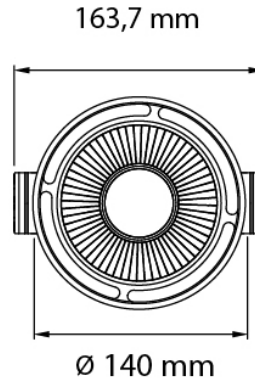
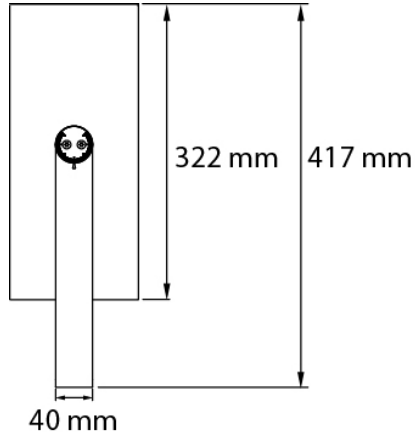
Categories: [Product Series](#), [Ruby Series](#), [Indoor](#), [Surface mounted](#), [Architainment](#), [Theatres & Concert halls](#)

> Specifications

Type	Ruby Bracket Modular, Indoor surface mounted
Colour	White or black
Material	Coated aluminium
Weight	3600 gram
Optics	16° 49° 63°
Light source	High Power LED
Light output	8500 lumen
CRI	92
LED colours	2700K 3000K 4000K
Power consumption	Max. 45 - 90 Watt
Power supply	80 ~ 264
Driver	Driver included Driver internal
Dimming	dmx analog hybrid pwm nfc
Connection	Power: Neutrik Powercon TRUE. DMX: XLR3.
IP rating	IP 20
Protection class	1
Certifications	CE
Energy label	A
Lifetime	50000 hours
LB Value	L90B10 at 50.000h

Warranty 5 years

Accessories Reflectors in several different beam angles and a Honeycomb louvre
Remarks Neutrik Powercon TRUE chassis / DMX XLR3 chassis



Backplate

