

JADE S



The Jade S is a high quality track fixture that is perfect for any space that needs excellent colour reproduction. With a variety of LED light sources to choose from, the Jade S is very energy efficient with a lumen/watt ratio of >121. Dimming methods include mains dim*, DALI and Local Dim* through the CLS superior dimming system.

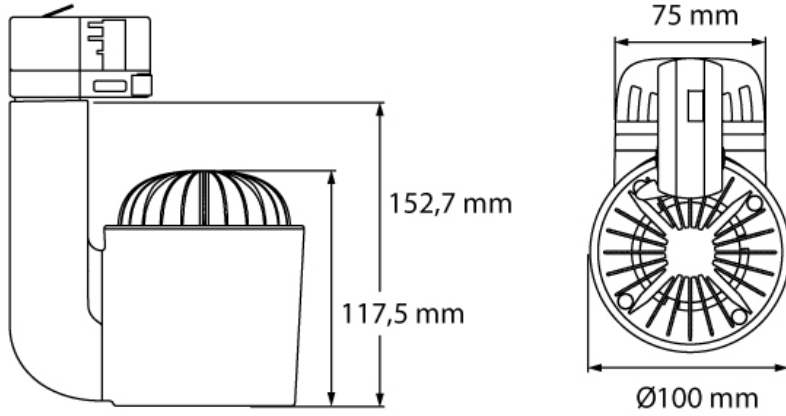
Categories: [Jade Series](#), [Indoor](#), [Track fixtures](#)

> Specifications

Type	Jade S, 20, 30 or 40 watt track spot
Colour	Black, white or grey
Material	Anodized or coated aluminium & PC/ABS V0
Weight	780 gram
Swivel	340° horizontal 350° vertical
Optics	19° 37° 63°
Light source	Citizen or Bridgelux
Light output	2000 - 3850 lumen
CRI	~90
LED colours	2700K 3000K 3500K 4000K D2W 1800K-3000K
Power consumption	Max. 20 - 40 Watt
Power supply	100~240 VAC
Driver	Driver included Driver internal
Dimming	mains local dali localcasambi
Connection	Track adapter
IP rating	IP 20
Protection class	1
Certifications	CE
Lifetime	50.000

LB Value L90B10 at 50.000h
Warranty 5 years

Accessories Rail products
Remarks Integrated soft diffusion filter



Jade HP 40 Watt

